

# Yagi Antenna

## 2400-2900 Mhz, 6dBi Gain, Yagi Antenna

### Product Description:

A Yagi antenna is a resonant fed dipole, the fed dipole is driven elements with one or more parasitic elements. It is a cost effective solution for point to point applications.

### Applications:-

Used as a donor  
Used as a link

### Features:

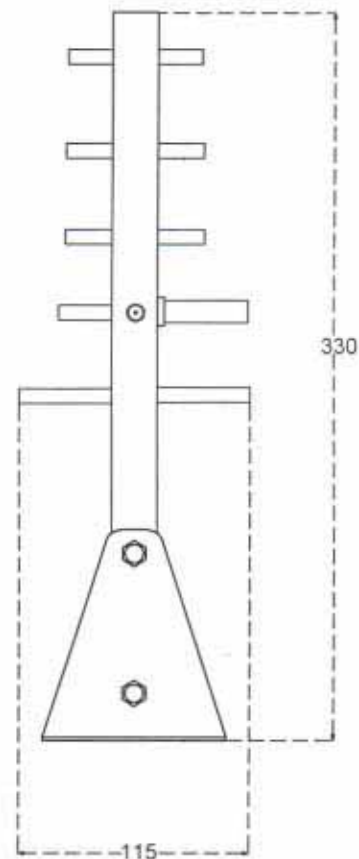
More Power radiated in a given direction.  
Highly directional.  
Good VSWR.

### Electrical Specifications:

Model No.	YA24006S01
Frequency Range (Mhz)	2400-2900
Return Loss (dB)	15
Power (Watts)	50
Impedance (ohms)	50
Gain (dBi)	6
Polarization ration	Horizontal / Vertical
Front to Back ration (dB)	15
H.P.B.W (degree) Horizontal	60°
Band Width (Mhz)	200

### Mechanical Specifications:

Connector	SMA (Female)
Mounting Hardware Material	MS
Unit dimension (LXWXH)mm	330X180X115
Unit weight (Kgs)	0.5
Unit Packed Dimension (LXWXH)mm	350X200X120
Unit Packed weight (Kgs)	0.7



YA24006S01