

Yagi Antenna

400-500 Mhz, 12dBi Gain, Yagi Antenna

Product Description:

A Yagi antenna is a resonant fed dipole, the fed dipole is driven elements with one or more parasitic elements. It is a cost effective solution for point to point applications.

Applications:-

Used as a donor
Used as a link

Features:

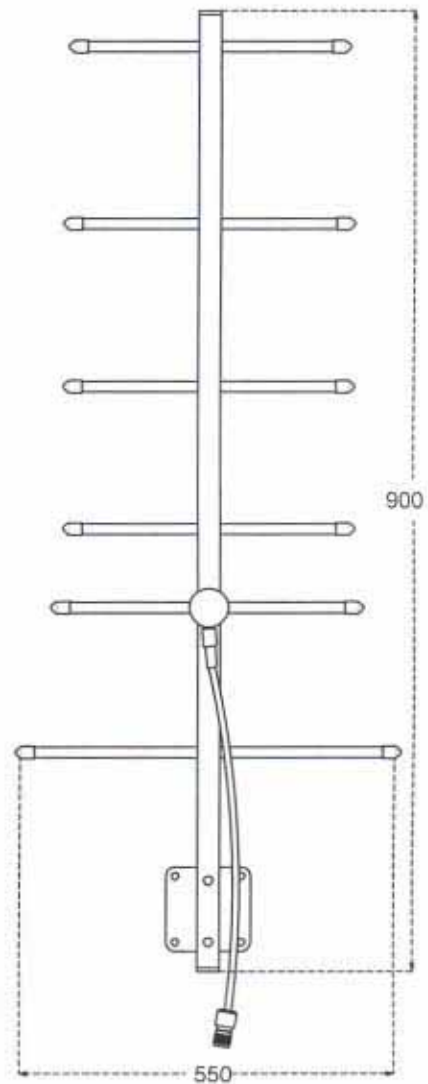
More Power radiated in a given direction.
Highly directional.
Good VSWR.

Electrical Specifications:

Model No.	YA04012N01
Frequency Range (Mhz)	400-500
Return Loss (dB)	15
Power (Watts)	100
Impedance (ohms)	50
Gain (dBi)	12
Polarization ration	Vertical
Front to Back ration (dB)	18
H.P.B.W (degree) Horizontal	70

Mechanical Specifications:

Connector	N (Female)
Mounting Hardware Material	MS
Unit dimension (LXWXH)mm	900X75X550
Unit weight (Kgs)	0.5
Unit Packed Dimension (LXWXH)mm	950X580X90
Unit Packed weight (Kgs)	0.3



YA04012N01