

Yagi Antenna

147-174 Mhz, 10dBi Gain, Yagi Antenna

Product Description:

A Yagi antenna is a resonant fed dipole, the fed dipole is driven elements with one or more parasitic elements. It is a cost effective solution for point to point applications.

Applications:-

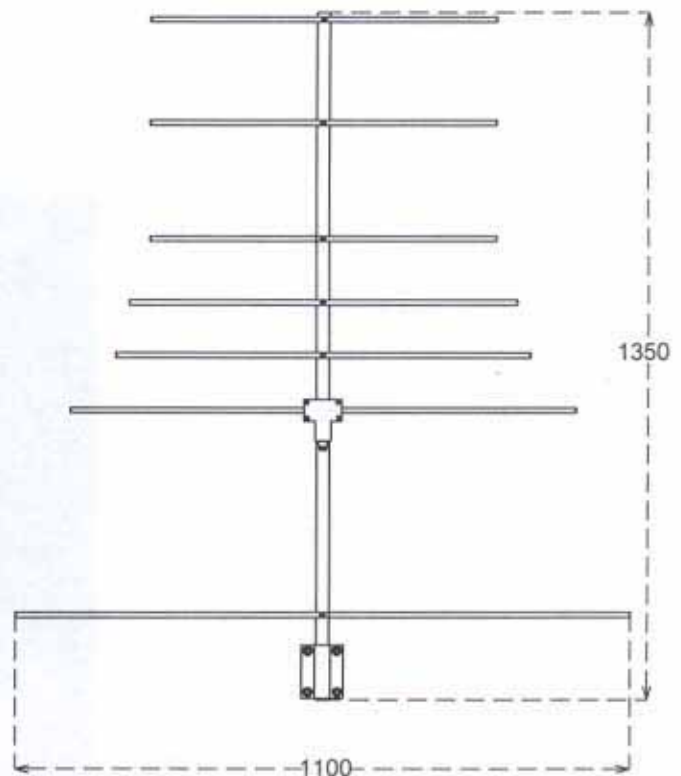
Used as a donor
Used as a link

Features:

More Power radiated in a given direction.
Highly directional.
Good VSWR.

Electrical Specifications:

Model No.	YA04010N01
Frequency Range (Mhz)	147-174
Return Loss (dB)	15
Power (Watts)	50
Impedance (ohms)	50
Gain (dBi)	10
Polarization ration	Horizontal / Vertical
Front to Back ration (dB)	18
H.P.B.W (degree) Horizontal	50°



Mechanical Specifications:

Connector	N (Female)
Mounting Hardware Material	MS
Unit dimension (LXWXH)mm	1350X1100X100
Unit weight (Kgs)	1.6
Unit Packed Dimension (LXWXH)mm	1450X1200X150
Unit Packed weight (Kgs)	2

YA04010N01

Due to continous improvement policy and efforts, dimensions are subject to change for further improvement.