

Yagi Antenna

2400-2900 Mhz, 8dBi Gain, Yagi Antenna

Product Description:

A Yagi antenna is a resonant fed dipole, the fed dipole is driven elements with one or more parasitic elements. It is a cost effective solution for point to point applications.

Applications:-

Used as a donor
Used as a link

Features:

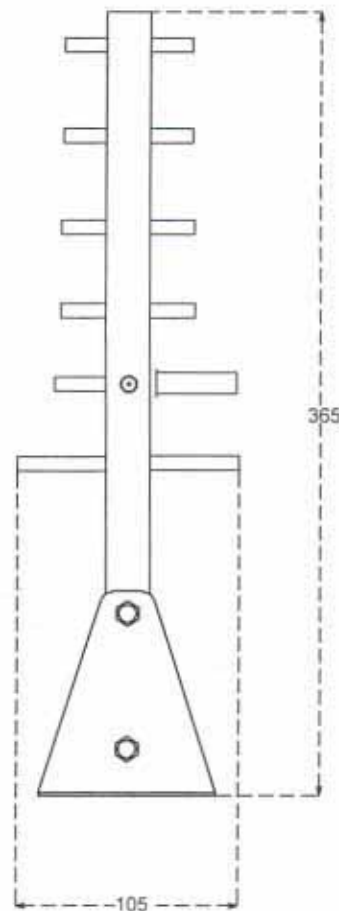
More Power radiated in a given direction.
Highly directional.
Good VSWR.

Electrical Specifications:

Model No.	YA24008S01
Frequency Range (Mhz)	2400-2900
Return Loss (dB)	15
Power (Watts)	50
Impedance (ohms)	50
Gain (dBi)	8
Polarization ration	Horizontal / Vertical
Front to Back ration (dB)	15
H.P.B.W (degree) Horizontal	30°
Band Width (Mhz)	200

Mechanical Specifications:

Connector	SMA (Female)
Mounting Hardware Material	MS
Unit dimension (LXWXH)mm	365X80X105
Unit weight (Kgs)	0.5
Unit Packed Dimension (LXWXH)mm	380X90X120
Unit Packed weight (Kgs)	0.7



YA24008S01

Due to continous improvement policy and efforts, dimensions are subject to change for further improvement.