

Yagi Antenna

824-894 Mhz, 9dBi Gain, Yagi Antenna

Product Description:

A Yagi antenna is a resonant fed dipole, the fed dipole is driven elements with one or more parasitic elements. It is a cost effective solution for point to point applications.

Applications:-

Used as a donor
Used as a link

Features:

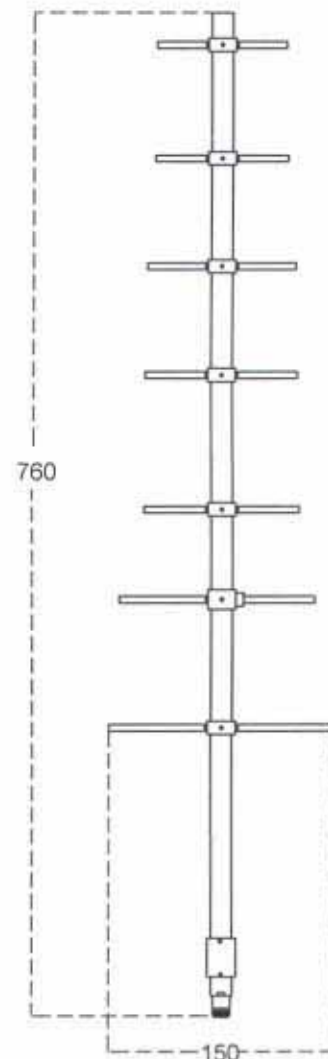
More Power radiated in a given direction.
Highly directional.
Good VSWR.

Electrical Specifications:

Model No.	YA08009N01
Frequency Range (Mhz)	824-894
Return Loss (dB)	15
Power (Watts)	50
Impedance (ohms)	50
Gain (dBi)	9
Polarisation ration	Vertical / Horizontal
Front to Back ration (dB)	18
H.P.B.W (degree) Horizontal	52°

Mechanical Specifications:

Connector	N (Female)
Mounting Hardware Material	MS
Unit dimension (LXWXH)mm	760X22X150
Unit weight (Kgs)	1.2
Unit Packed Dimension (LXWXH)mm	900X220X40
Unit Packed weight (Kgs)	1.5



YA08009N01