

# Patch Panel Antennas

## 1880-1900 Mhz, 13dBi Gain, Patch Antenna

### Product Description:

Patch Antenna's are quite directional as they have most of their power radiated in one direction in both the vertical and horizontal planes. It's flat design provides high efficiency and low back lobes with minimal depth dimension.

### Applications:-

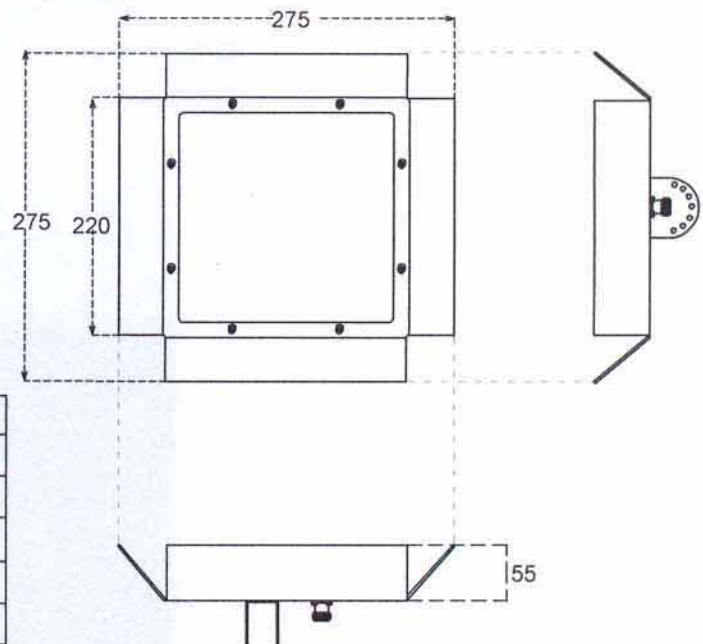
Outdoor long range point to point connection.

### Features:

- Compact in Size
- Field Proven
- Easy to install
- Cost effective
- Linear Polarization

### Electrical Specifications:

Model No.	PA18013N01
Frequency Range (Mhz)	1880-1900
Return Loss (dB)	>15
Power (Watts)	50
Impedance (ohms)	50
Gain (dBi)	13
Polarization ration	Horizontal / Vertical
Front to Back ration (dB)	20
H.P.B.W	65°



PA18013N01

### Mechanical Specifications:

Connector	N (Female)
Mounting Hardware Material	MS
Unit dimension (LXWXH)mm	200X280X280
Unit weight (Kgs)	1.1
Unit Packed Dimension (LXWXH)mm	300X300X75
Unit Packed weight (Kgs)	1.4
Radome Material	ABS Glass filled with UV Protection

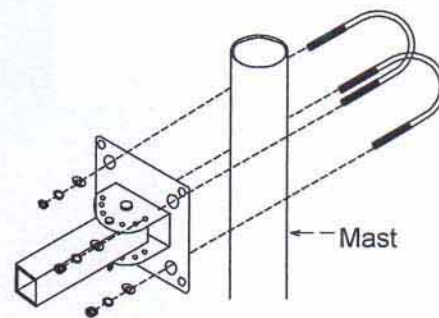


fig: Mounting Guide

Due to continous improvement policy and efforts, dimensions are subject to change for further improvement.