

Patch panel ANTENNAS

2700-2900 Mhz, 13dBi Gain, Patch Antenna

Product Description:

Patch Antenna's are quite directional as they have most of their power radiated in one direction in both the vertical and horizontal planes. It's flat design provides high efficiency and low back lobes with minimal depth dimension.

Applications:-

Outdoor long range point to point connection.

Features:

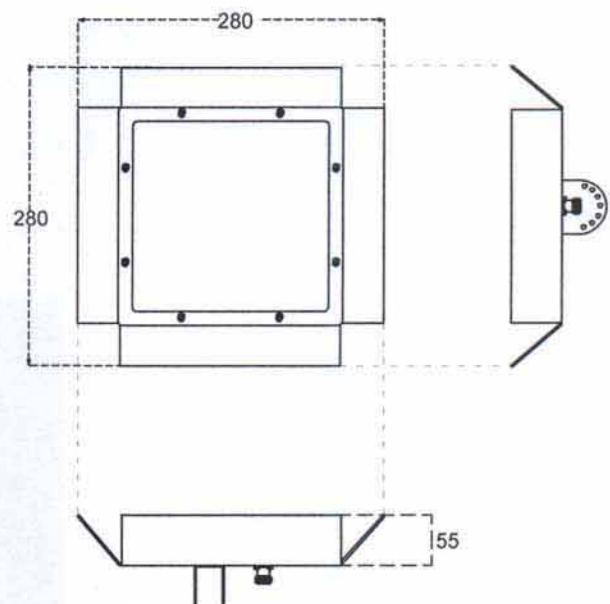
- Compact in Size
- Field Proven
- Easy to install
- Cost effective
- Linear Polarization

Electrical Specifications:

Model No.	PA27013N01
Frequency Range (Mhz)	2700-2900
Return Loss (dB)	>15
Power (Watts)	50
Impedance (ohms)	50
Gain (dBi)	13
Polarization ration	Horizontal / Vertical
Front to Back ration (dB)	17
Horizontal Beam width	35°

Mechanical Specifications:

Connector	N (Female)
Mounting Hardware Material	MS
Unit dimension (LXWXH)mm	200X280X280
Unit weight (Kgs)	0.7
Unit Packed Dimension (LXWXH)mm	325X325X230mm
Unit Packed weight (Kgs)	0.9
Radome Material	ABS Glass filled with UV Protection



PA24013N01

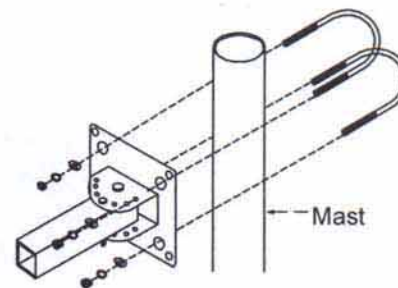


fig: Mounting Guide

Due to continuous improvement policy and efforts, dimensions are subject to change for further improvement.