

Patch Panel Antennas

2400-2500 Mhz, 13dBi Gain, Patch Antenna

Product Description:

Patch Antenna's are quite directional as they have most of their power radiated in one direction in both the vertical and horizontal planes. It's flat design provides high efficiency and low back lobes with minimal depth dimension.

Applications:-

Outdoor long range point to point connection.

Features:

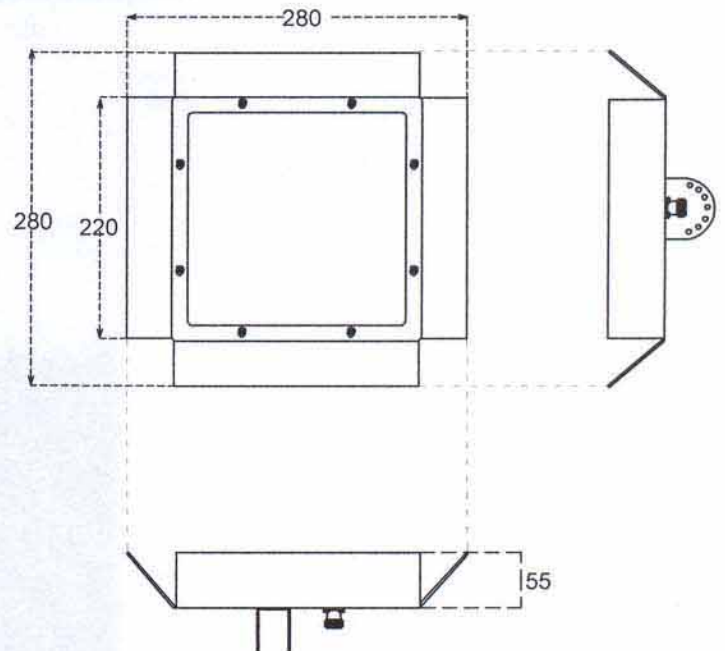
- Compact in Size
- Field Proven
- Easy to install
- Cost effective
- Linear Polarization

Electrical Specifications:

| | |
|---------------------------|-----------------------|
| Model No. | PA24013N01 |
| Frequency Range (Mhz) | 2400-2500 |
| Return Loss (dB) | >15 |
| Power (Watts) | 50 |
| Impedance (ohms) | 50 |
| Gain (dBi) | 13 |
| Polarization ration | Horizontal / Vertical |
| Front to Back ration (dB) | 20 |
| H.P.B.W | 55° |

Mechanical Specifications:

| | |
|---------------------------------|-------------------------------------|
| Connector | N (Female) |
| Mounting Hardware Material | MS |
| Unit dimension (LXWXH)mm | 200X280X280 |
| Unit weight (Kgs) | 1.1 |
| Unit Packed Dimension (LXWXH)mm | 300X300X75 |
| Unit Packed weight (Kgs) | 1.4 |
| Radome Material | ABS Glass filled with UV Protection |



PA24013N01

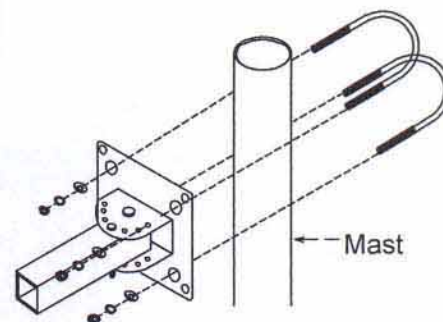


fig: Mounting Guide

Due to continuous improvement policy and efforts, dimensions are subject to change for further improvement.