

# User's Manual

**To prevent the damage by the glitch of power supply, please first connect the switching power supply with the mains electricity before switch on this unit.**

## Super High Power Jammer With Longer Jamming Distance

Thank you for purchasing the Cellular Jammer. Please first read this manual completely before using this device, save this manual and keep it handy.

### GENERAL

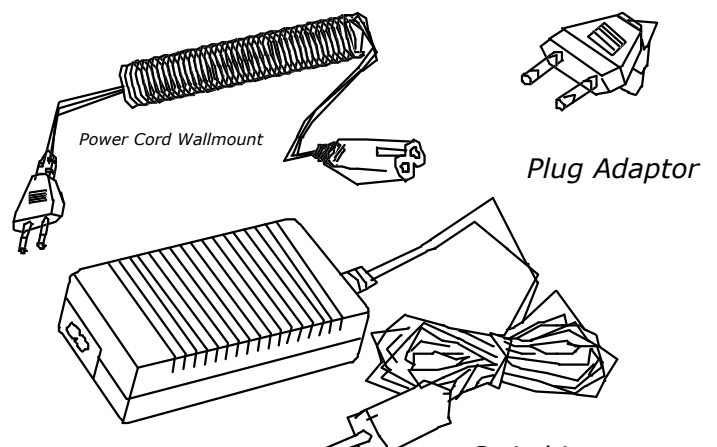
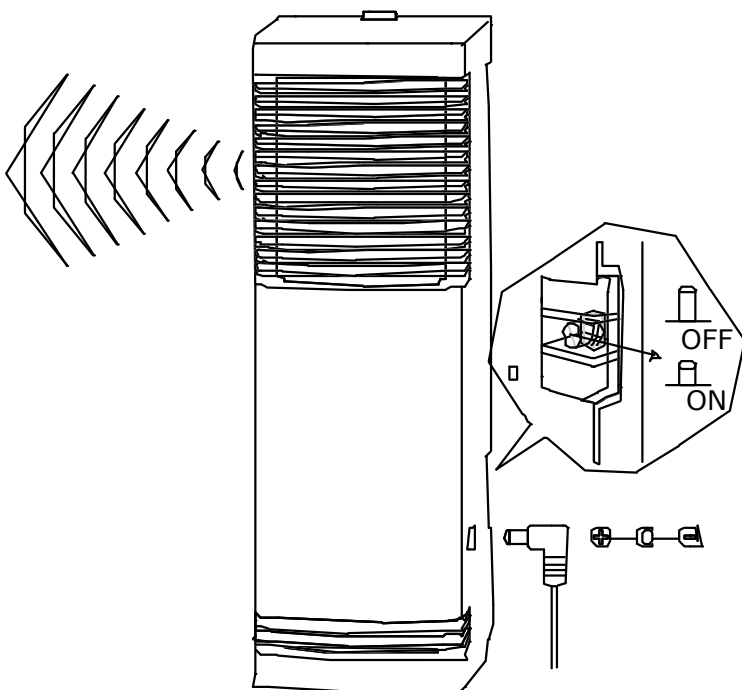
This device is special designed to isolate cellular noises in office, conference room, restaurant and library, etc. And to protect the medical equipment from cellular signals, also ensure the security of government or military places.

This device utilizes unique technic that interfere the communication between cellular handset and cellular base station by low power radio signals. The effective range is up to 40 meters radius, depending on the strength and type of cellular system.

### INSTALLATION

1. Depends on your needs, connect the wallmount plug adaptor or the power cord with the switching power adaptor.
2. Connect the switching power adaptor with electricity, and plug another side into the socket located at the rear end of right bottom side (from the front view)
3. Install this device in vertical at the height about 2.0 meters will get the best jamming result.
4. Check this device in different positions by dialing the cellular phone to test and find the best interfering position of the Jammer.
5. If install several sets of this Jammer in a same place of bigger area, it will have better results if install the Jammers in diagonal places.
6. Upon activating the Jammer, all the cellular phone calls already in connection inside the jamming area will be cut-off in 10 - 40 seconds and the radio link will be lost. All the cellular phones in the jamming area will become idle and indicate "No Service" or "No Network" or "Blank receiving status" on its screen. Or the indication appears as usual, but can not dial. After the Jammer is activated, all the incoming calls will be handled as if the cellular phone is OFF and the incoming calls may be routed into the voice mailbox.

### PRINCIPLE PARTS



## △ NOTICE OF USE

1. Removal of cover or broken seal will void all warranties.
2. Install the Jammer in vertical at height about 2.0 meters will get better Jamming result.
3. For better performance, use this device in an individual space (room). This device is not able to cover different spaces (rooms) divided with walls. Install individual Jammer in different partition of a building to ensure the best jamming result.

---

## SPECIFICATION

<b>Power</b>	<b>6V DC, 5.7A switching power adaptor</b>
<b>Effective range</b>	<b>Up to 40 meters radius, depending on the strength and type of cellular system</b>
<b>Dimension</b>	<b>L 98 x W 85 x H 245 mm</b>
<b>Weight</b>	<b>650 g</b>

\* Specifications may change without notice

---

## NOTICE OF INSTALLATION

The effective range of this device depends on the type of cellular system (network). Different installations will cause big different results. For example, there are two kinds of installation as follows for your reference.

1. Install the jammer near the window and dial the mobile phone inside the office.
2. Install the jammer inside the office, and dial the mobile phone near the window.

Normally, the first kind of installation will cover bigger area. Because the jammer blocks the signals from outside. If you know the direction of nearby base station, then install the jammer in that

Besides, the indoor base station signal strength in higher floor will be higher than lower floor, because there is less attenuation to the base station signal in higher floor by neighbor buildings.

---

## WARNING

Use this device as an auxiliary, supplemental help or aid to prevent the risks caused by cellular phone communications. This device does not take the place of all the supervisions. Performance of this Radio frequency (RF) product will be affected by the circumstance of use. The producer and marketing group accepts no liability for any loss or damage by malfunction or misuse.

---

## COPYRIGHT

No part of this manual may be reproduced, transmitted, transcribed, or translated into any language in any form by any means, electrical or mechanical, including photocopying, recording, or information and retrieval systems, without the express written permission of manufacturer. Products mentioned in this manual are for identification purposes only. All brand names appearing in this manual may or may not be registered trademarks or copyrights of their respective companies. The manufacturer reserves the right to change or modify the specifications of any one or all of these products as deemed necessary at any time without prior notification. The manufacturer may further revise this manual from time to time without prior notice.

Copyright 1999-2006, Patent pending, All rights reserved. Pro Hunter are trademark of the manufacture